

**18V, 5.6Ah, 20A, 100Wh
Low Temperature capable**

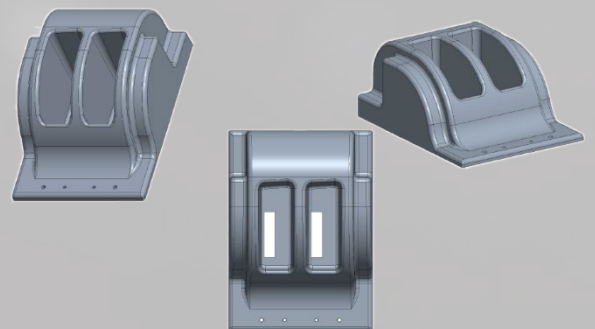
**New “S-Series” battery
with 7-pin connector**

2x +/- Power Contacts provide high discharge with small profile.

18VDC/275W output with maximum 20A discharge.

**The new standard battery pack from Inspired Energy
supported by a new standard dual-bay charger:**

- Compatible dual-bay chargers with globally compliant AC/DC power adaptor included.
- 26VDC/65W voltage input.
- Visible front panel status LED's.



Production Available Q4 2023 Designed and **built** in the **USA**.