

# MP20501 2-Wire Mini-Belt Pack Instruction Manual

## Revision History

Revision	Release Date	Revisions	Issued By	Approved By
1.0	4/24/23	Production Release	KP	JAB

Inspired Energy 25440 NW 8<sup>th</sup> Place, Newberry, FL 32669  
US toll free: 1-888-5-INSPIRE (1-888-546-7747) Tel: 352 472 4855 Fax: 352 472 4859

[www.inspired-energy.com](http://www.inspired-energy.com)

# MPL20501



## Curly 2-Wire Mini-Belt Pack Instructions for use

### Adapter Overview:

The MP20501 is a mini-belt pack that facilitates the voltage passthrough of a “ND205x” series battery pack via a curly 2-wire output cable.

### What’s in the box?

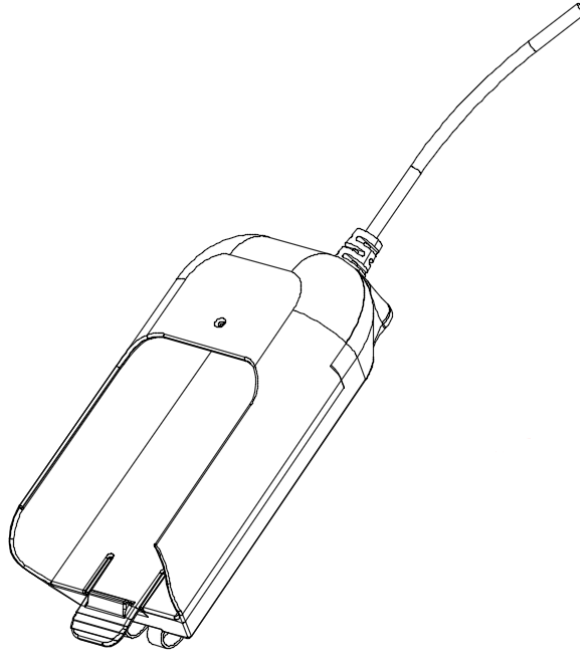
1. One MP20501 Curly 2-Wire Mini-Belt Pack

### Safety:

1. Do not expose the device to water or liquids.
2. Do not open the case, no user serviceable parts are inside.
3. Avoid shorting.
4. Never use a modified or damaged battery or adapter.
5. Do not attempt to charge batteries while in the device.
6. Caution - during use the adapter connector(s) and may become warm.

## Using your Adapter:

Ensure the Mini-Belt Pack is away from sources of heat and moisture, and insert your Inspired Energy “ND205x” series battery pack.



## Output Power:

As a pass-through design, the voltage of the installed battery pack is connected the output of the MP20501 via a cable terminated with a 90° 5.5mm x 2.5mm DC Plug. The Belt-Pack is limited to the power output of the installed “ND205x” series battery pack. If there is no battery pack installed, or the battery is fully discharged, there will be no output on the cable. For more information on the output power limitations of your battery pack, please refer to the battery specification datasheet available on our website: [www.inspired-energy.com](http://www.inspired-energy.com).

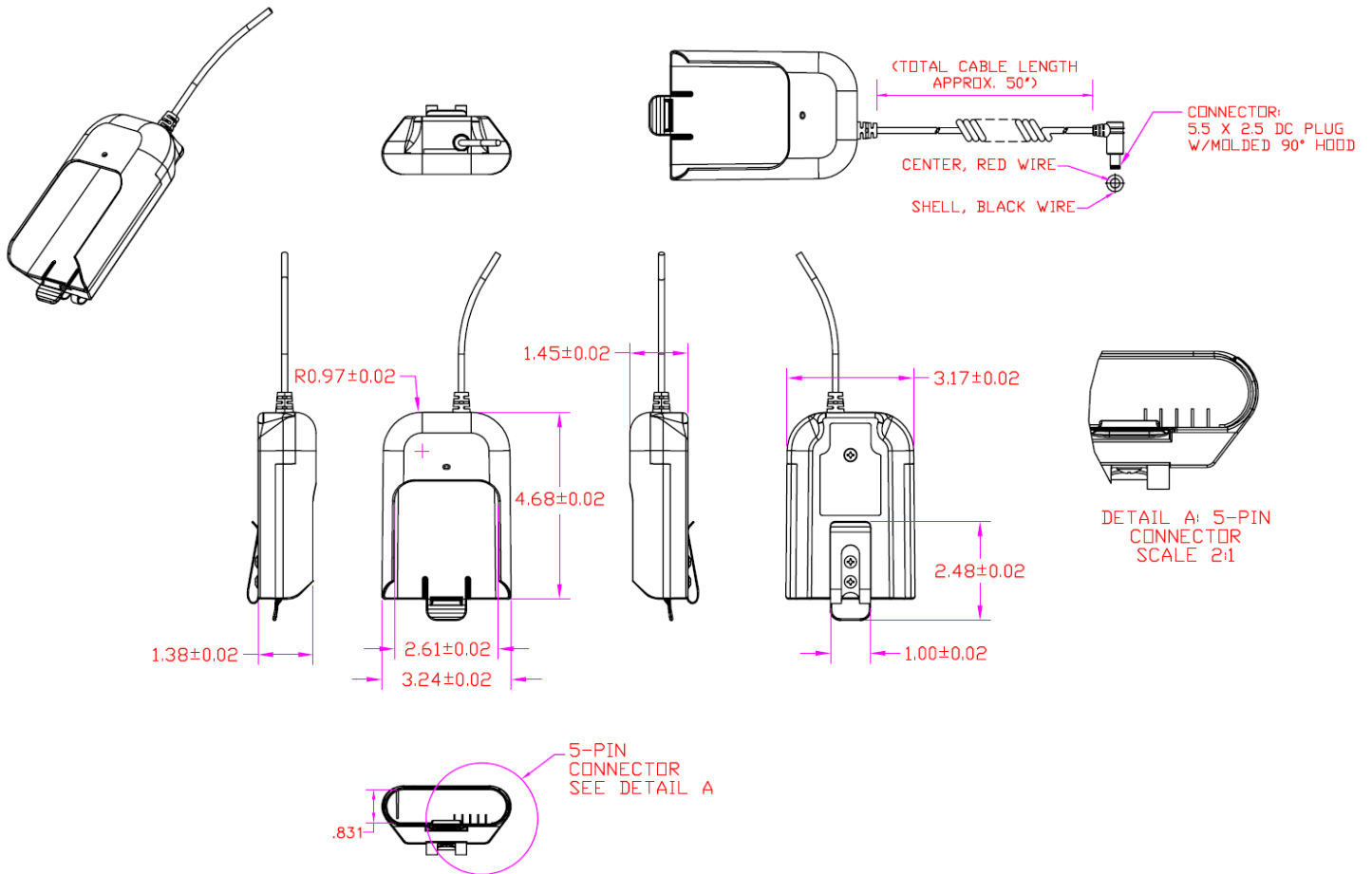
## Compatibility:

The MP20501 is fully compatible with all Inspired Energy® brand “ND205x” Series standard and custom battery packs. For a full list of all compatible Inspired Energy batteries, please visit:

[www.inspired-energy.com](http://www.inspired-energy.com)

## MP20501 Specification Summary

Weight:	0.141kg / 4.96oz
Height:	36.83mm / 1.45"
Length:	118.87mm / 4.68"
Width:	82.30mm / 3.24"
Communications Compliances:	System Management Bus Rev 1.1, Smart Battery Data Specification Rev 1.1 and Smart Battery Charger Specification Rev 1.1 compliant
Power Source:	Inspired Energy "ND205x" series battery pack



**Note:** Dimensions are in inches.