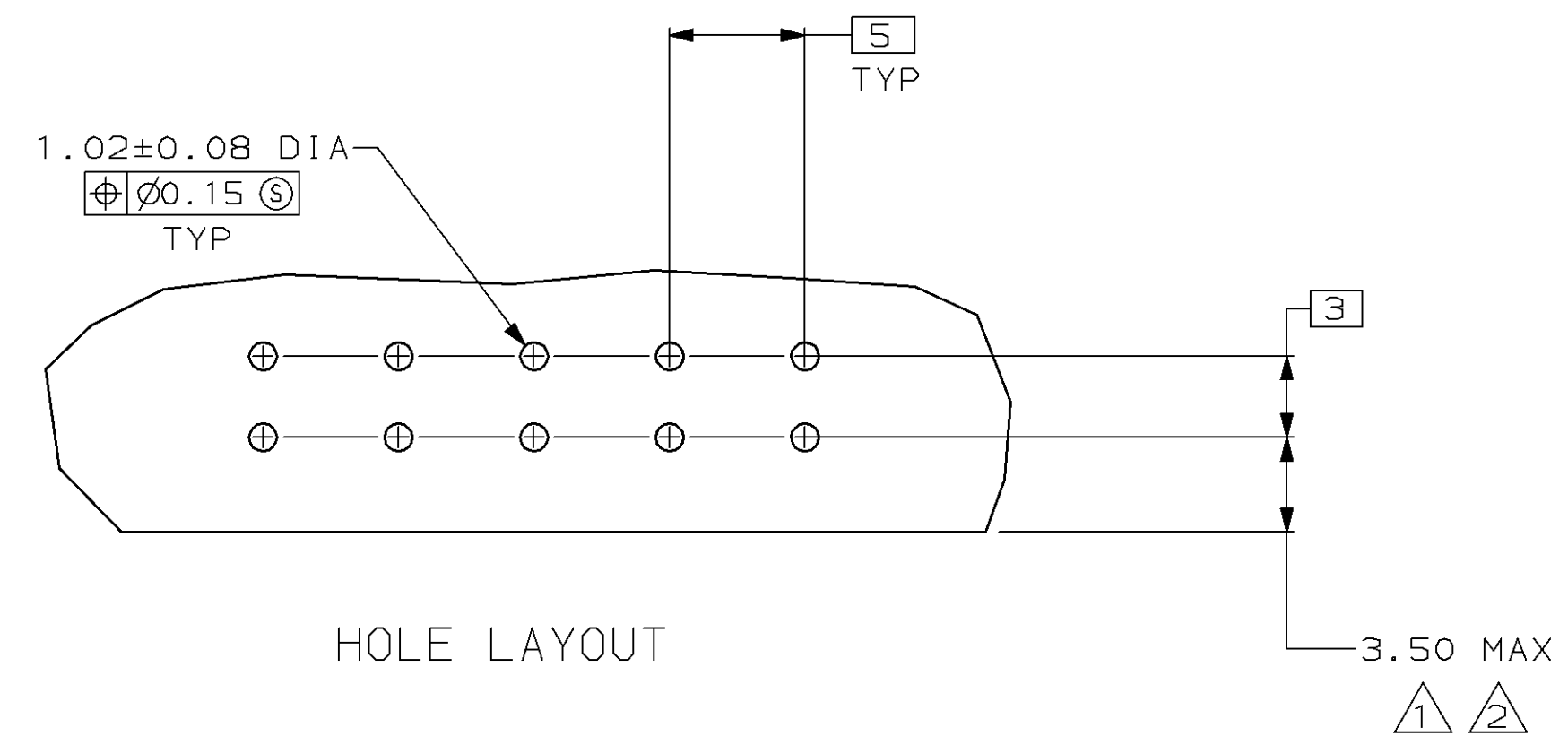
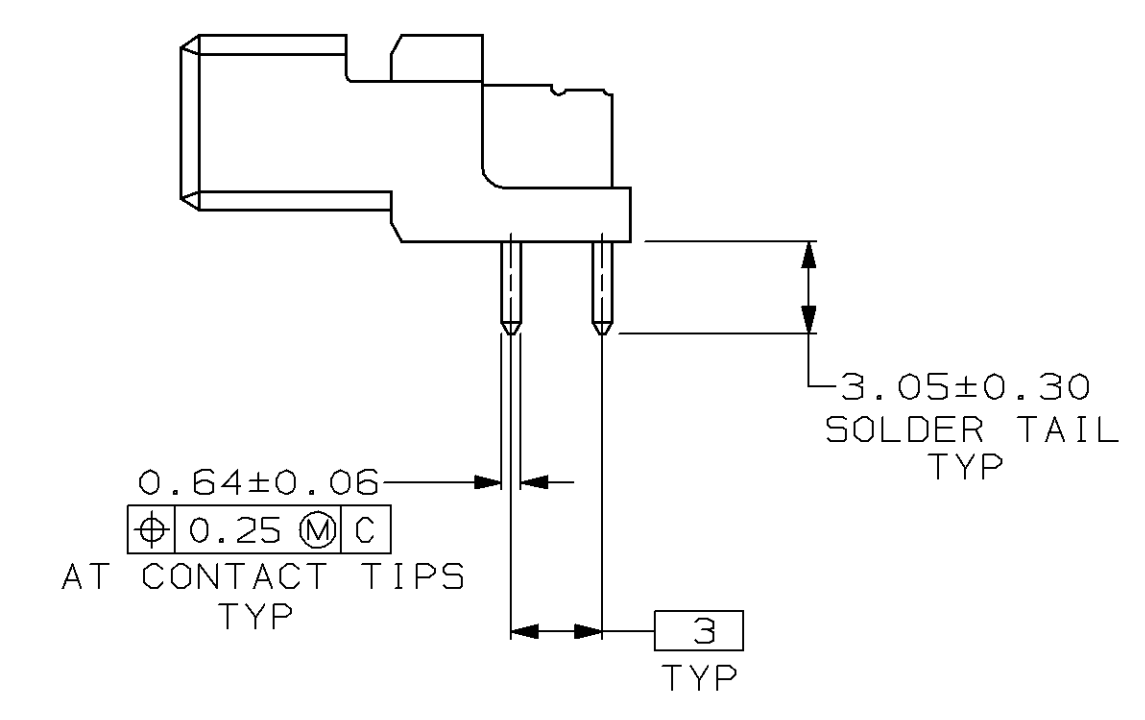
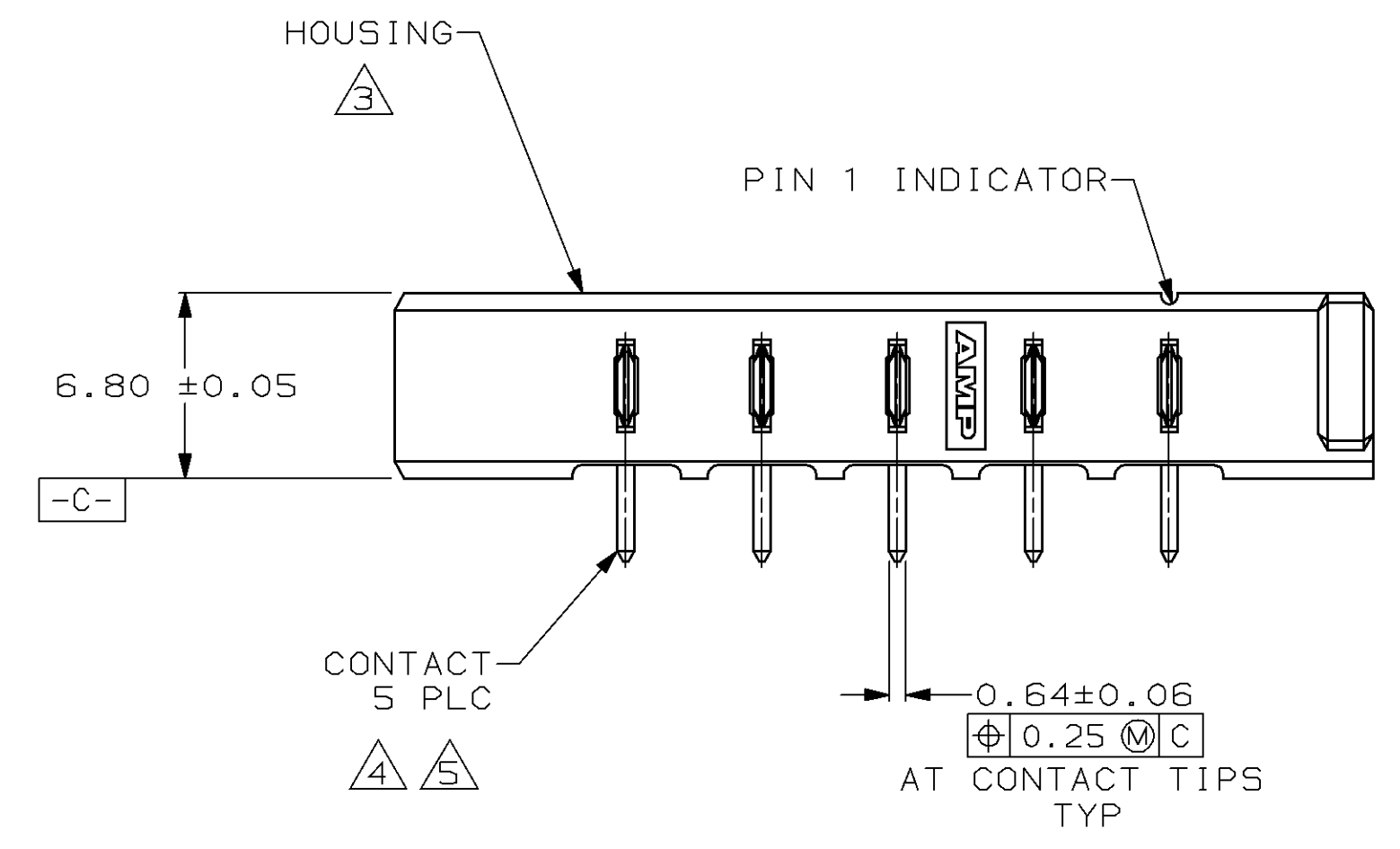
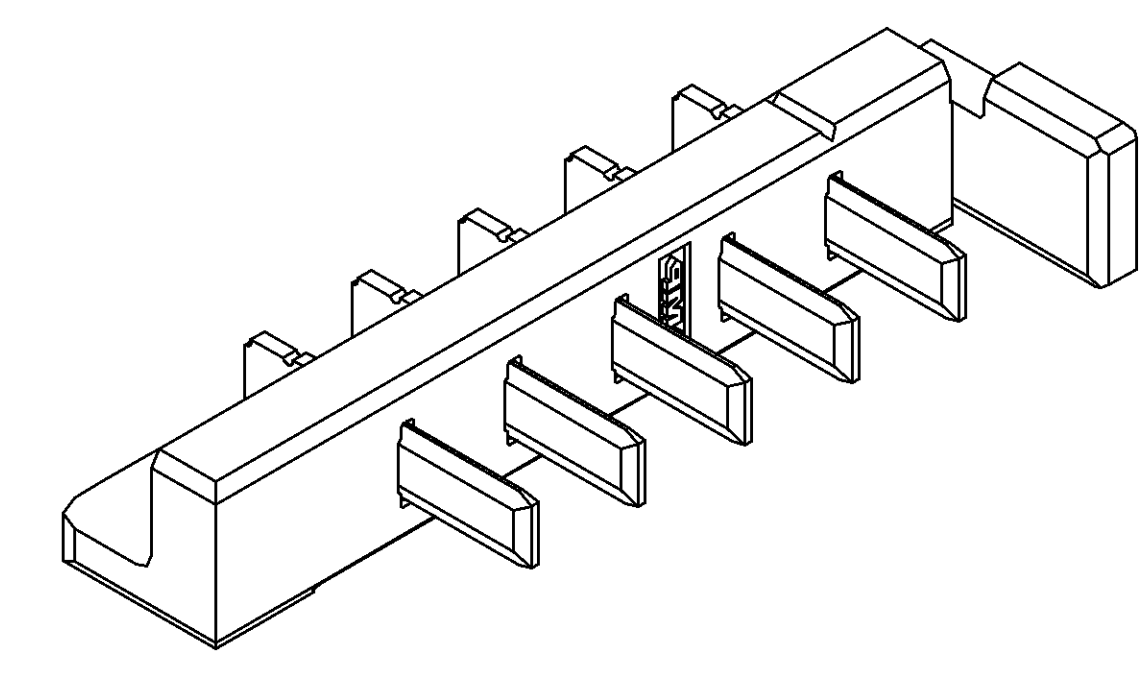
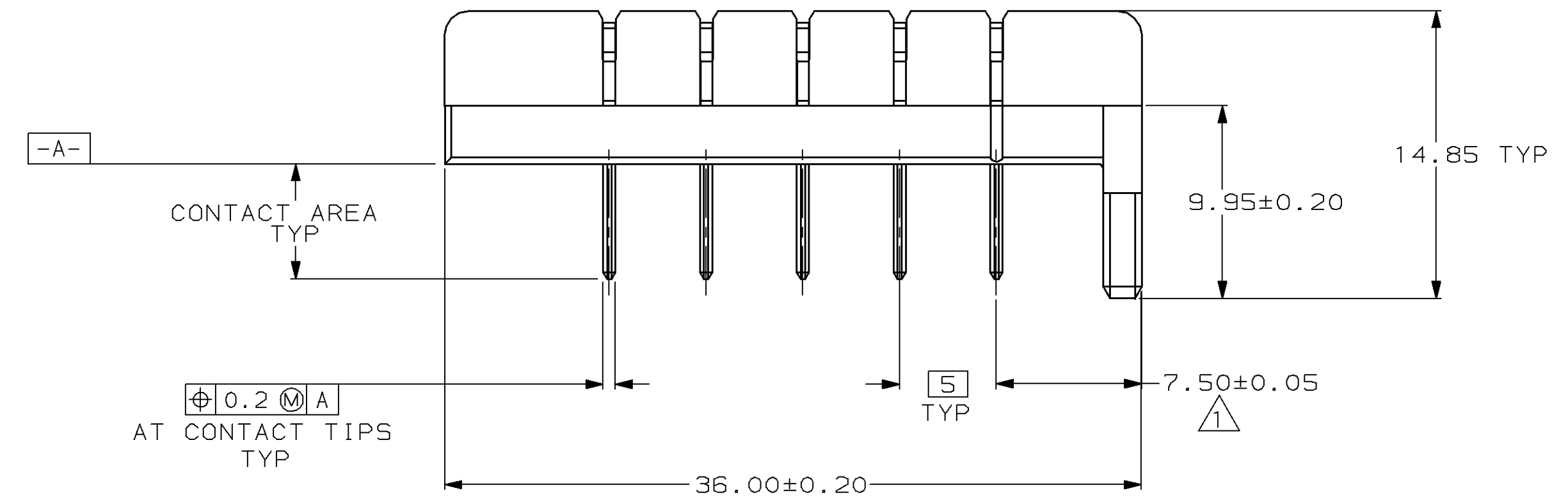


LOC	DIST	REVISIONS			
P	LTR	DESCRIPTION	DATE	OWN	APPD
0		RLSE -1 PER NPR 5304 WAS 95-2197-08-1	03/15/95	SK	SK
A		REV PER EC 0020-0657-96	12/06/96	JR	RS

- ① COORDINATE DIMENSION APPLIES FROM CENTER OF ACTUAL FEATURE.
- ② DIMENSION CAN BE EXCEEDED FOR APPLICATIONS WHERE FINAL MATED POSITION OF PACK IS ABOVE TOP SURFACE OF PCB.
- ③ LCP, BLACK
- ④ 2.54µm MIN TIN-LEAD ON SOLDER TAIL OVER 1.90µm MIN NICKEL ALL OVER.
- ⑤ CONTACTS: BRASS



787422-1
PART NO

<small>THIS DRAWING IS A CONTROLLED DOCUMENT FOR AMP INCORPORATED. IT IS SUBJECT TO CHANGE AND THE CONTROLLING ENGINEERING DEPARTMENT SHOULD BE CONTACTED FOR THE LATEST REVISION.</small>		DWN S. KLINE 03/15/95 CHK S. KLINE 03-16-95 APP'D S. KLINE 03-16-95	AMP Incorporated Harrisburg, PA 17105-3508
DIMENSIONS: mm	TOLERANCES UNLESS OTHERWISE SPECIFIED: 0 PLC ± 1 PLC ± 2 PLC ±0.13 3 PLC ± 4 PLC ± ANGLES ±	NAME HEADER ASSEMBLY, RIGHT ANGLE, RIGHT VOLTAGE KEY, 12V, STRAIGHT SOLDER TAILS, BATTERY INTERCONNECT	SIZE A1
MATERIAL SEE CALLOUTS	FINISH SEE CALLOUTS	WEIGHT -	CAGE CODE 00779
		CUSTOMER DRAWING	DRAWING NO 787422
		SCALE 4:1	SHEET 1 OF 1