

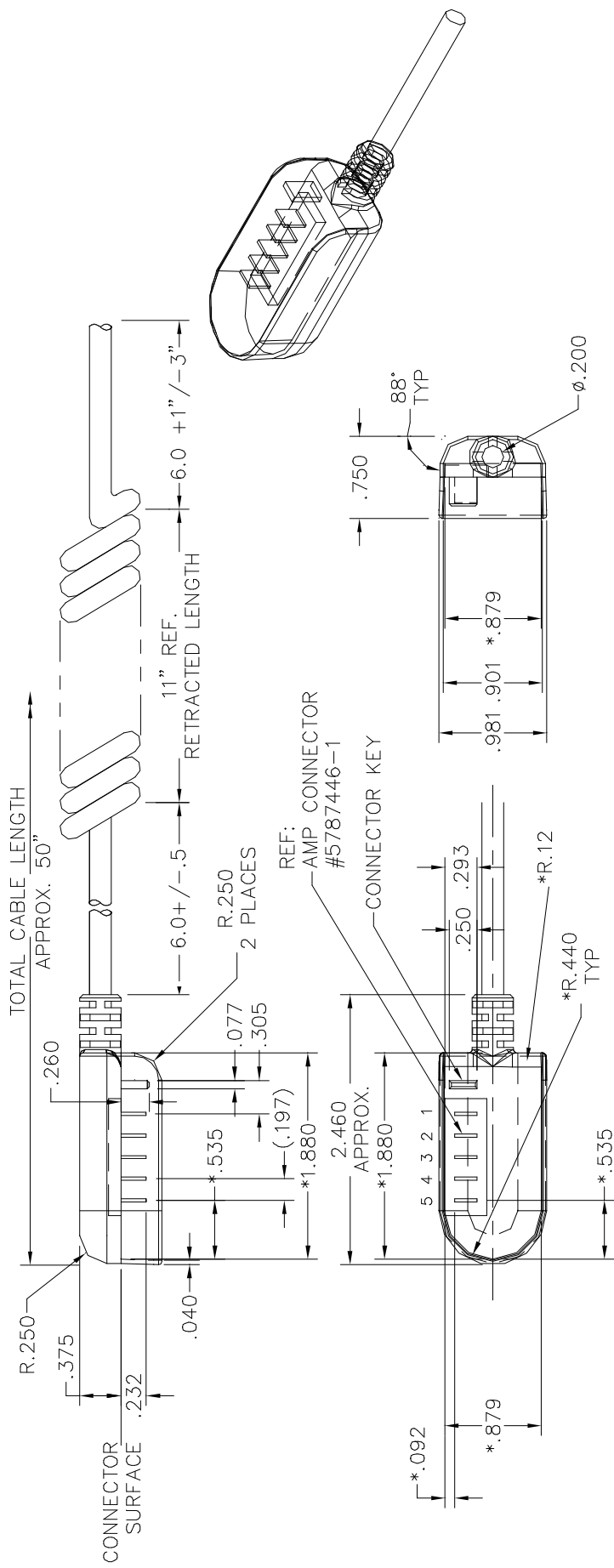
629030

1

2

3

4

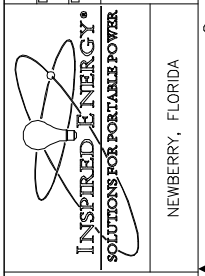


WIRE LIST - AMP	
FROM	COLOR
P1	RED 18 AWG
P5	BLACK 18 AWG

NOTES:
 1. * INDICATES DIMENSION IS AT CONNECTOR SURFACE
 2. AMP CONNECTOR P/N 5787446-1
 3. OVER MOLD MATERIAL: PU
 COLOR: BLACK TO MATCH CABLE
 4. TEST CONTINUITY AND HIPOT TO 100 VOLTS DC

CABLE SPECIFICATIONS:
 COMPONENT: (2) 18 AWG CONDUCTORS,
 65/36 TC STRANDING
 INSULATOR: TEFLON
 COLOR: RED AND BLACK
 JACKET INSULATION: .014 THICK PU TO ϕ .200
 COLOR: BLACK

UNLESS OTHERWISE SPECIFIED:	
1. ALL MACHINED SURFACES TO BE 63 MICROINCHES OR SMOOTHER.	
2. ALL DIMENSIONS ARE IN INCHES.	
XX ±.02	FRACTIONS ± 1/64
.XXX ±.005	ANGLE ±1/4°
.XXXX ±.0005	
9/27/07	CHG WIRES FROM .015 THK PU TO 18AWG TEFLON
DATE	EWJ/ECN NO.
REVISIONS	
NBF 2	9/27/07
LOC REV APPR	DATE



3rd ANGLE PROJ. CHECK APPROVE DATE 8/15/07
 M. ORLER DATE ISSUED
 MACHINE NAME:
 These documents, submitted by Inspired Energy Inc., contain information of a proprietary nature and shall not be copied or duplicated in whole or in part or used in whole or in part for any purpose other than that which is necessary for the preparation of bids or fabrication.

BILL OF MAT'L. NEXT ASSEMBLY	
CONNECTOR 2 WIRE 204X/025X	
SCALE	1:1 SHEET 1 OF 1
ENGINEERING NO.	629030
DWG. REV.	B2
SIZE	B2

10/10/2002

1

2

3

4